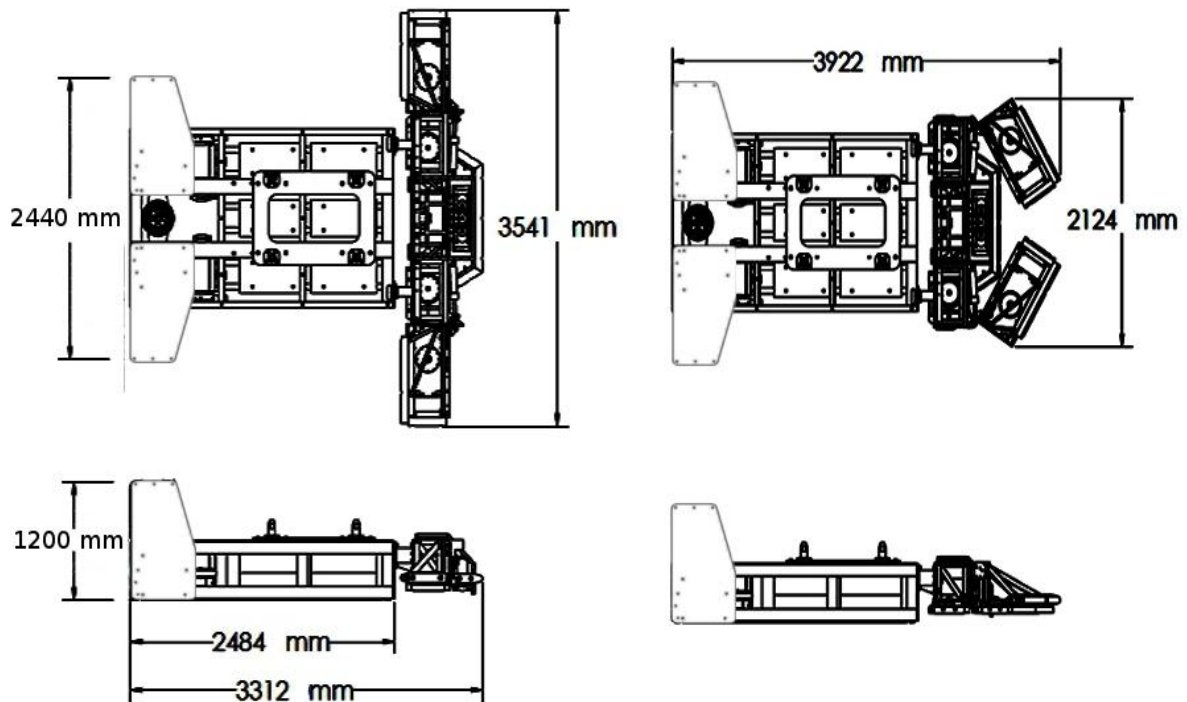


SBI TOWED

SBI Type	Millennium Short
Total Weight In Air	825 kg
Total Weight In Water	60 kg
Total Length	3.31 m
Width Deployed	3.54 m
Width Folded (with horizontal fins)	2.44 m
Height	1.2 m
The SBI Millennium Towed system can be deployed from vessel A-Frame	



Typical SBI Scope of Supply Checklist

PanGeo Generally Supplies to Client

1. SBI Unit
2. Depth Sensor
3. Velocimeter
4. Mechanical Interface to platform
5. Electrical Interface (Power and Communication)
6. Topside Computer and NAS
7. Competent Offshore Team:
 - a) 12 hour working = 1 Offshore Manager + 1 Technician / Data Processor
 - b) 24 hour working = 1 Offshore Manager + 1 Technician / Data Processor + Dedicated Data Processor

PLEASE NOTE: We can also offer a complete One Stop Shop Survey Solution – please just ask!
We also offer to supply WROVs/ROVs, Phins/DVL or ROVINS/DVL units – full details upon request

Client Generally Supplies to PanGeo

1. Suitable Vessel
2. Positional Survey Spread (including USBL/GPS and MBES-if required)
3. iXblue Phins 6000 Gen-II, Phins 6000 or Gen-III or ROVINS with DVL
4. Mux Box Interface (normally not required for shallow water towed applications)
5. Power required = 115 V ac 50/60 Hz at 3 Amps running (6 Amps peak inrush)
6. Ethernet required = 1000Base-T or 100Base-T (1 Gb/sec or 100 Mb/sec)
7. Crane/FLT at Quayside for offload from flat-bed truck (max single piece weight = 1 tonne)

