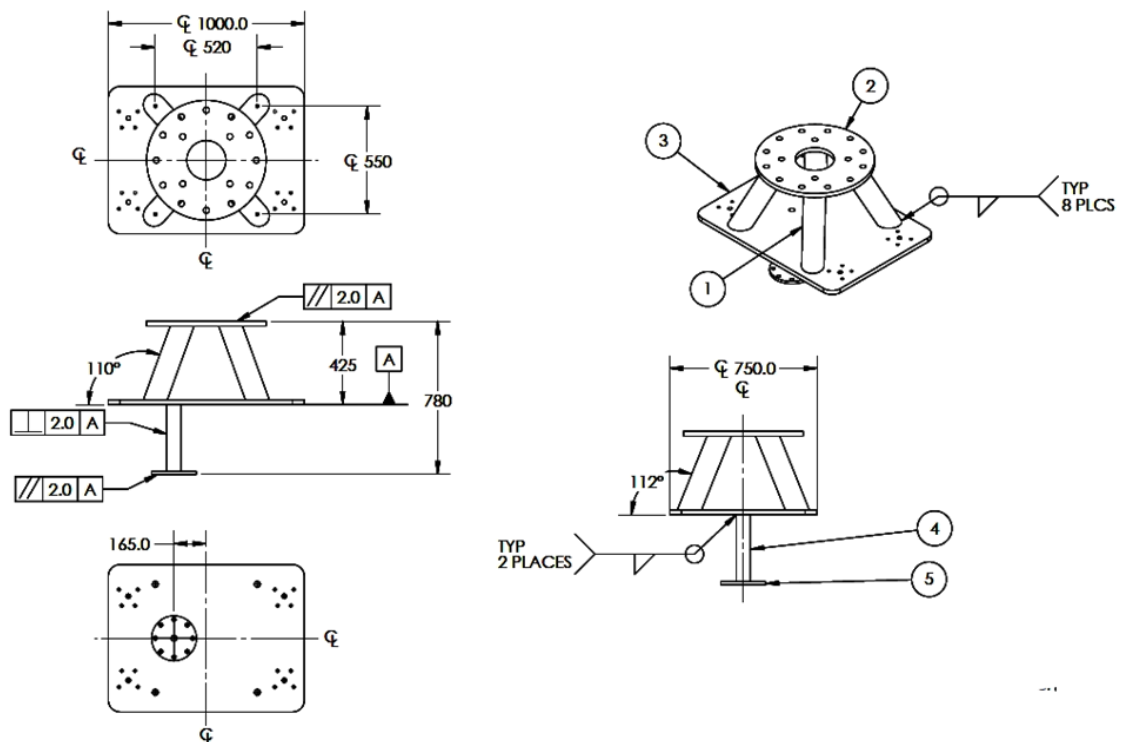


SBI CUSTOM BUILT

SBI Type	SBI-2 on ROGE ROV
Total Weight In Air	982 kg
Total Length	1.00 m
Width	0.75 m
Height	0.78 m
The Shallow Water SBI can be deployed from vessel mounted trailing arm/pole or ROV Trencher	



Typical SBI Scope of Supply Checklist

PanGeo Generally Supplies to Client

1. SBI Unit
2. Depth Sensor
3. Velocimeter
4. Mechanical Interface to platform
5. Electrical Interface (Power and Communication)
6. Topside Computer and NAS
7. Competent Offshore Team:
 - a) 12 hour working = 1 Offshore Manager + 1 Technician / Data Processor
 - b) 24 hour working = 1 Offshore Manager + 1 Technician / Data Processor + Dedicated Data Processor

PLEASE NOTE: We can also offer a complete One Stop Shop Survey Solution – please just ask!
We also offer to supply WROVs/ROVs, Phins/DVL or ROVINS/DVL units – full details upon request

Client Generally Supplies to PanGeo

1. Suitable Vessel
2. Positional Survey Spread (including USBL/GPS and MBES-if required)
3. WROV, ROV or suitable Platform (all common ROV 4-post interfaces accepted)
4. iXblue Phins 6000 Gen-II, Phins 6000 or Gen-III or ROVINS with DVL
5. Mux Box Interface
6. ROV Hydraulic Port required for wing folding (JIC4 @ 1200 psi max)
7. Power required = 115V ac 50/60 Hz at 3 Amps running (6 Amps peak inrush)
8. Ethernet required = 1000Base-T or 100Base-T (1 Gb/sec or 100Mb/sec)
9. Crane/FLT at Quayside for offload from flat-bed truck (max single piece weight = 1 tonne)

